

LPP420 COMPACT300



Automatic thermoforming line for packaging



ISO 9001
BUREAU VERITAS
Certification





LPP420 COMPACT300

*The new innovative design
of thermoforming line for packaging
dedicated for demanding customers.*

Our extensive experience in design and production of automatic machines for packaging has enabled the development of innovative thermoforming line dedicated to packaging of food products in flexible and rigid films.

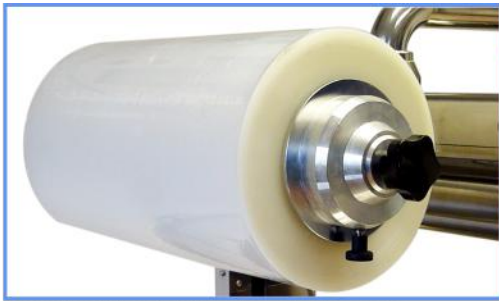
Machine was designed to ensure our customers the high performance and quality of the packaging process with the aim of maximal simplicity of operation and maintenance.

Versality of the machine enables the possibility to work either with flexible or rigid films. Packaging is carried out automatically using the latest technological solutions.

COMPACT300 is the perfect solution for small and medium companies and the excellent packaging tool providing full functionality at an affordable price.



Automatic thermoforming line for packaging



Innovative film reels fixing and adjusting system



Touchscreen



Bottom film unwinding system



Sealing tool



Longitudinal cutting system



Rigid film cutting system



Clipping chain guide

Standad design:

- Stainless steel construction
- Hygenic frame design
- Transport of the film using the 5/8" clip chains driven by servomotor
- Chain lubricating system
- 100 m³/h TEPRO vacuum pump
- Film margins winders
- Forming with the compressed air
- Forming depth - up to 90 mm
- Flexible film cutting tools
- Quick tool exchange
- Innovative integrated brake system for top and bottom film reels
- MAP application system
- Controll using B&R touchscreen
- Two levels of access to the settings modification
- Possibility of save up to 50 packaging programs
- Automatic diagnostic system

Options:

- 63 m³/h TEPRO vacuum pump
- Photocell
- Rigid film cutting tools
- Easy open of packaging ("EasyPeel")
- Closed circuit of cooling water
- Hot products packing system
- Special mould design

Advantages:

- Space saving
- Low power consumption
- Low consumption of compressed air and cooling water
- Easy operation and maintenance
- Intuitive touchscreen interface
- High performance and reliability



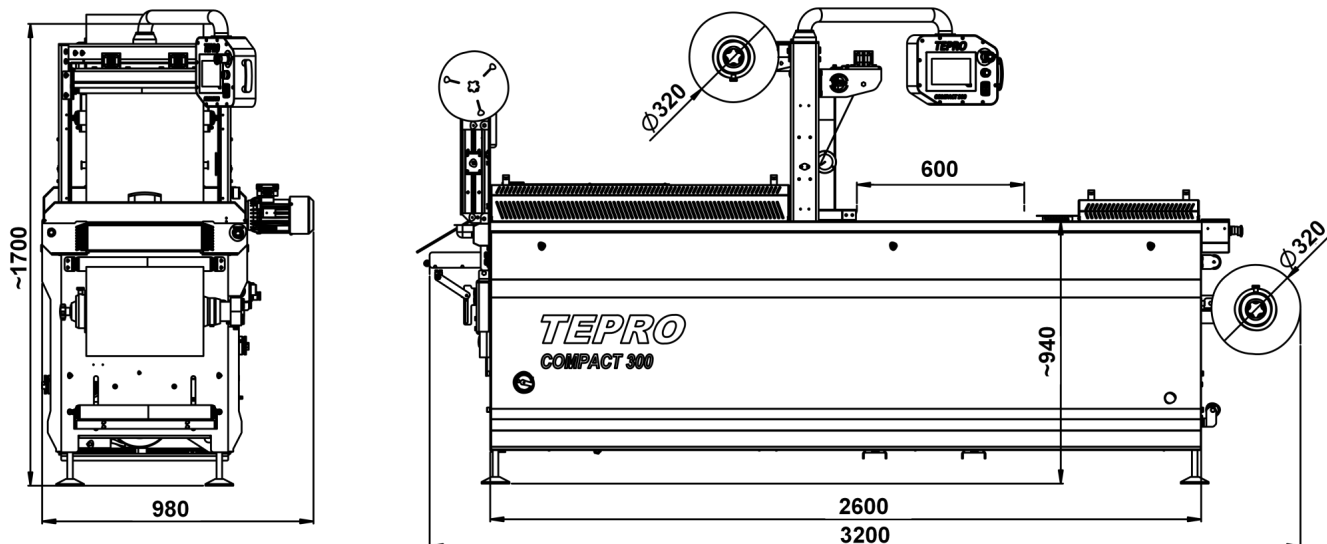
Forming tool



Hygienic stainless steel covers

Compact dimensions - maximal performance.

Dimensional sketch:



Technical data:

Max. working advance	mm	300
Forming chamber	mm	282 x 356
Forming depth (max.)	mm	90
Length of loading area	mm	600
Distance between tools	mm	1800
Output	cycle / min	4 - 8
Vacuum pump	m ³ / h	100
Power supply	V / Hz	3 x 400 / 50
Power (depending on design)	kW	approx. 10
Compressed air pressure	bar	min. 7
Consumption of cooling water	l / min	4 - 6
Consumption of compressed air	NI / cykl	70 - 100
Top film width	mm	420 ^{+/- 1}
Bottom film width	mm	420 ⁺²
Bottom film roll diameter	mm	320 / core 76
Top film roll diameter	mm	320 / core 76
Bottom film thickness (flexible / rigid)	mm	up to 0,3 / 0,6
Electric power cord		5 x 4 mm ²
Water connection (inlet and outlet)		connector fi 12
Compressed air connection		connector fi 17
MAP gas connection		quick connector DN7,2 / wąż fi 8
Weight (depending on design)	kg	~1200



ZAKŁAD TECHNIKI PRÓŻNIOWEJ TEPRO SA

ul. Przemysłowa 5
75-216 Koszalin
Poland
Tel.: +48 94 343 24 81
Tax: +48 94 343 26 58
e-mail: marketing@tepro.com.pl

www.tepro.com.pl

